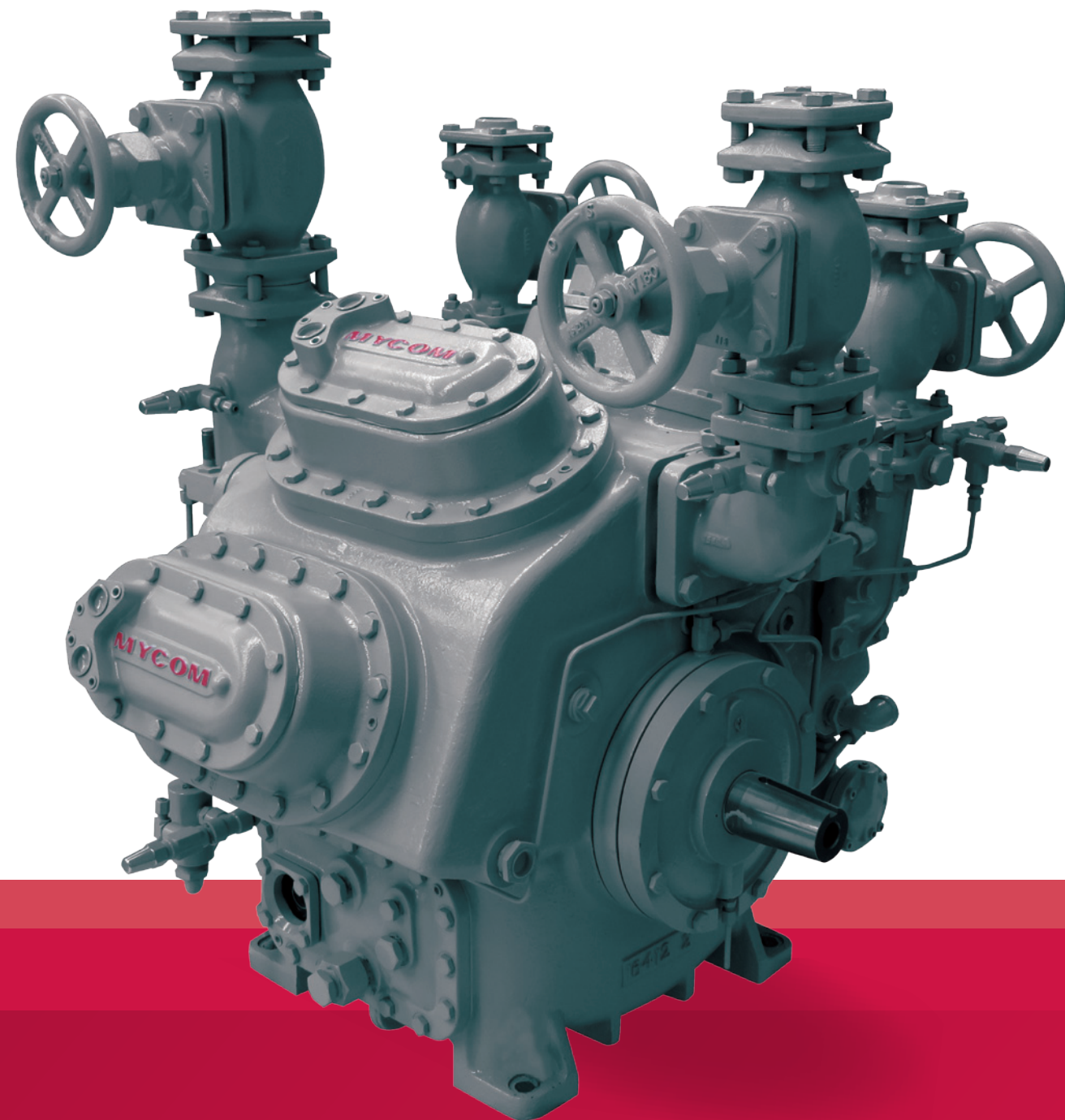


WA SERIES RECIPROCATING COMPRESSOR



WA SERIES RECIPROCATING COMPRESSOR

Reciprocating Compressor / **Two Stage** Open Type

WA SERIES



MYCOM

* Some optional items are included in this photo.

MAYEKAWA
MYCOM

The content of this pamphlet may change without advance notice due to improvements to the product.
* Mayekawa and MYCOM are registered trademarks of Mayekawa Mfg. Co., Ltd.

MAYEKAWA MFG.CO.,LTD.

[Head Office]: 3-14-15 Botan, Koto-ku, Tokyo 135-8482, JAPAN
TEL:(81)3-3642-8181 FAX:(81)3-3643-7094

[Inquiries]: global-contact@mayekawa.co.jp

<http://www.mayekawa.com>

PD149 01001609-16.09.

Suitable for a wide range of applications
Long-selling model for small- to medium-scale facilities

Reciprocating Compressor [Two Stage] Open Type WA-SERIES



* Some optional items are included in this photo.

Applications

With a high-pressure design suitable for use in air-cooled condensing units for fluorocarbon refrigerants, the model serve small- to medium-scale deep freezing applications.

[Usable refrigerants]

Natural refrigerants	Fluorocarbon refrigerants
Ammonia	R404A R507A

High Reliability

A long-selling model with high reliability and track record, designed for tough applications subject to load fluctuation.

Specifications

Model*1 (N/F)		42WA	62WA
Item			
Refrigerant		Ammonia / HFCs (R404A, R507A)	
Compressor type		Reciprocating, Open Type	
Number of cylinders		Low stage : 4 High stage : 2	Low stage : 6 High stage : 2
Bore	mm	95	
Stroke	mm	76	
Displacement*2	m ³ /h	Low stage : 125 High stage : 62.7	Low stage : 188 High stage : 62.7
Rotation speed	rpm	800-1500*3	
Drive method		Direct drive / V-belt	
Capacity control	%	100/50	100/66/33

*1. Specify the refrigerant by adding a prefix to the type code (N = Ammonia / F = Fluorocarbons).

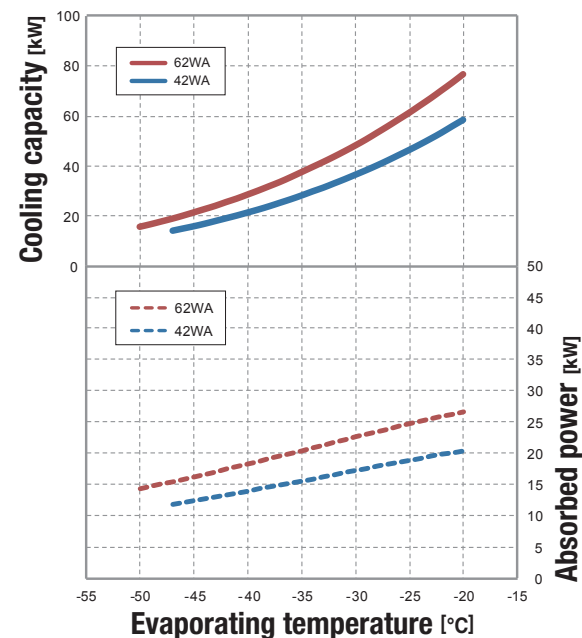
*2. Displacement at 970 rpm

*3. The range of rotation speed varies by operating conditions. Please refer to the ranges of use stated in the operating instructions.

Performance charts

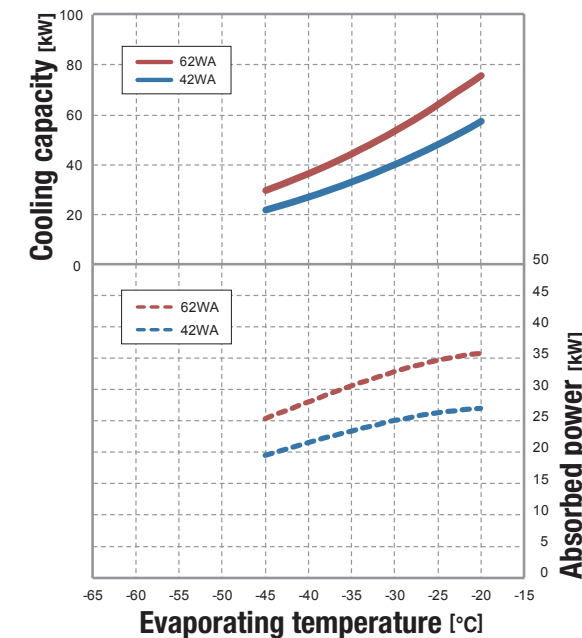
Ammonia

Condensing temperature: 35°C
Suction Superheat: 0°C
Rotation speed: 970rpm
Liquid Subcooling: 5°C



R404A

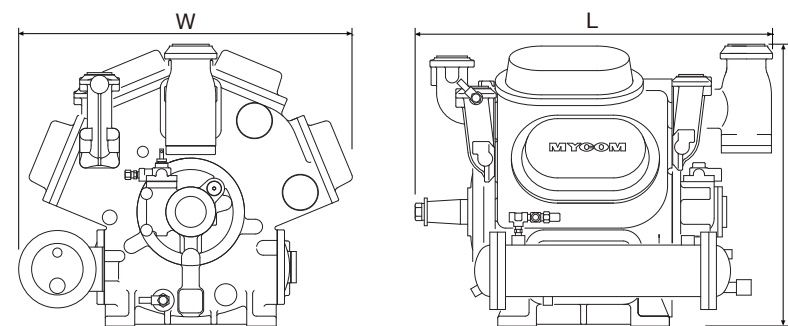
Condensing temperature: 35°C
Suction Superheat: 20°C
Rotation speed: 970rpm
Liquid Subcooling: 5°C



* Please consult us for further details.

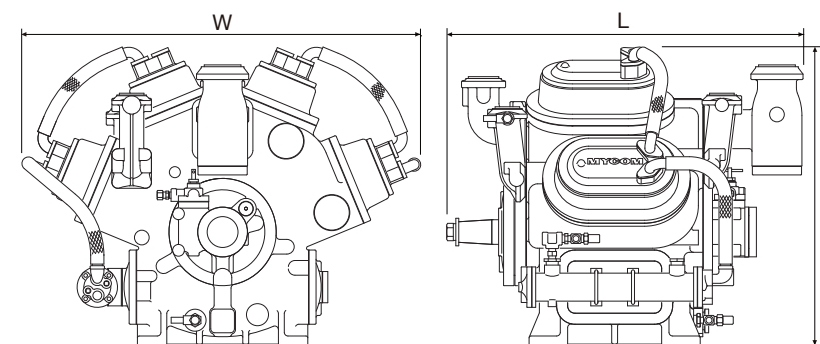
Outer dimensions

[Air cooled type (HFCs)]



Model (F)	Weight (kg)	W (mm)	L (mm)	H (mm)
42WA	580	850	935	735
62WA	670	880	970	750

[Water cooled type (Ammonia)]



Model (N)	Weight (kg)	W (mm)	L (mm)	H (mm)
42WA	600	990	935	840
62WA	700	1045	970	910

* The outer dimension drawings illustrate the 6-cylinder model.

* The stop valve, companion flange, flywheel, V-pulley, and safety valve are not included. * The oil cooler is included.